

FLUKE®

Biomedical

Nuclear Associates Models 56-614 & 56-615

CLEAR-Pb® Adjustable-Height Mobile X-Ray Barrier

Users Manual

March 2005

Manual No. 38613 Rev. 2

©2003, 2005 Fluke Corporation, All rights reserved. Printed in U.S.A.

All product names are trademarks of their respective companies

**Fluke Biomedical
Radiation Management Services**

6045 Cochran Road
Cleveland, Ohio 44139
440.498.2564

www.flukebiomedical.com/rms

Table of Contents

Section 1:	General Information	1-1
1.1	Introduction	1-1
1.2	Components Supplied.....	1-1
1.3	Tools Required	1-2
1.4	Installation.....	1-3
1.5	To Use the Barrier	1-3

(Blank page)

Section 1

General Information

1.1 Introduction

Your CLEAR-Pb Adjustable-Height Mobile X-Ray Barrier is shipped to you partially disassembled.

CAUTION

Do not remove the protective paper from the viewing panel until after installation. This will help prevent the leaded plastic from being scratched during assembly.

1.2 Components Supplied

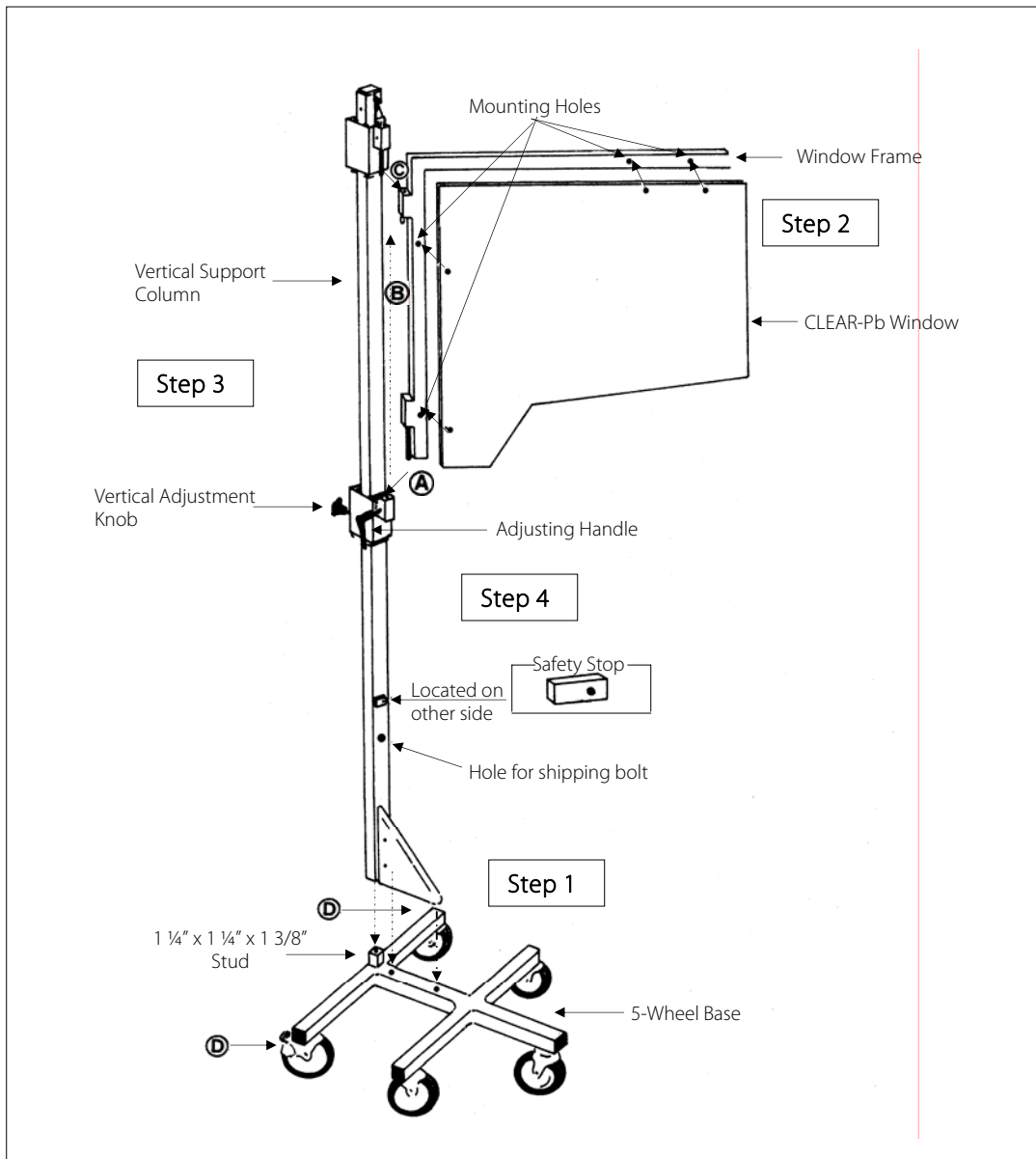
- 1 ea. CLEAR-Pb window
- 1 ea. *Frame (some units are shipped with the CLEAR-Pb window installed in the frame)
- 1 ea. Vertical support column
- 1 ea. 5-wheeled base
- 1 set Hardware:
 - 2 ea. 7/16" - 20 x 2" bolts with washers
 - *4 ea. 1/4" - 20 x 1" screws
 - 1 ea. Vertical adjustment screw & knob
 - 1 ea. Swivel adjustment handle
 - 1 ea. Cotter Ring
 - 1 ea. 1/8" x 3/4" Spring Pin
 - 1 ea. 5/16" S/S Washer
 - 1 ea. 3/64" Cotter Pin

1.3 Tools Required

You will need the following tools for assembly:

- 1 ea. 7/16" socket wrench (you can substitute a 7/16" box or open-end wrench, or an 8" adjustable wrench)
- 1 ea. 3/4" Box or open-end wrench
- *1 ea. No. 2 flat Philips screwdriver
- 1 ea. 1/8" Punch
- 1 ea. Hammer

* Not supplied or required if window is installed on frame prior to shipment.



1.4 Installation

Step 1

Place the 5-wheeled base on the floor. Install the vertical support column on the 1 ¼ x 1 ¼ x 1-3/8" stud. Line up the holes in the base with the holes in the vertical support bracket. Insert both 7/16 - 20 x 2" bolts with washers from underneath and tighten. Insert the Vertical adjustment knob into lower block and hand tighten.

CAUTION

At this point, the unit is not perfectly balanced, so use two hands to move it!

Step 2

IF YOUR UNIT HAS THE CLEAR-Pb WINDOW INSTALLED IN THE FRAME, PLEASE PROCEED TO STEP #3. Otherwise... place the CLEAR-Pb window frame on a tabletop so that the larger mounting holes are facing up. Remove approximately 2" of protective paper from two sides with holes. Insert the CLEAR-Pb window into the channeled bracket, lining up the four (4) pre-drilled holes. Install the four (4) 1/4" - 20 x 1" screws and hand tighten. Final tightening is with the No. 2 Philips screwdriver.

Step 3

Have a second person lower the CLEAR-Pb window frame pin into lower block and secure pin with cotter ring [A].

Step 4

With the help of your second person raise CLEAR-Pb window frame [B] up slowly till upper pin is fully seated in upper window frame block [C].

Tighten locking knob to hold window in position. Install 5/16" S/S washer on upper pin. Using a hammer and punch, squarely drive 1/8" x 3/4" spring pin into upper pin. Finally, insert cotter pin through spring pin and spread apart ends around upper window frame pin.

CAUTION

Make sure the locking knob is securely locked until the spring pin and cotter ring have been installed in both the upper and lower pins!

Step 5

Install the swivel adjustment handle on either side of the bottom vertical block. Remove the shipping bolt from the vertical support column. The bolt is used to lock the counterbalance during shipment.

1.5 To Use The Barrier

Roll the barrier to the desired position and lock both rear casters. This is accomplished by slight foot pressure applied to the wheel locks at the rear of the base [D]. Lower the window the minimum permissible clearance over the patient and tighten the vertical adjustment knob. Small axial adjustments in window position can be made utilizing the adjusting handle.

**Fluke Biomedical
Radiation Management Services**

6045 Cochran Road
Cleveland, Ohio 44139
440.498.2564

www.flukebiomedical.com/rms